



PRODUCTS CATALOG

ELECTRICAL ENCLOSURES & MODULAR CABINETS



20

exmweb.com

NEMA 4X ENCLOSURES

5412 EAL

WATER, OIL & DUST TIGHT ALUMINIUM ENCLOSURES

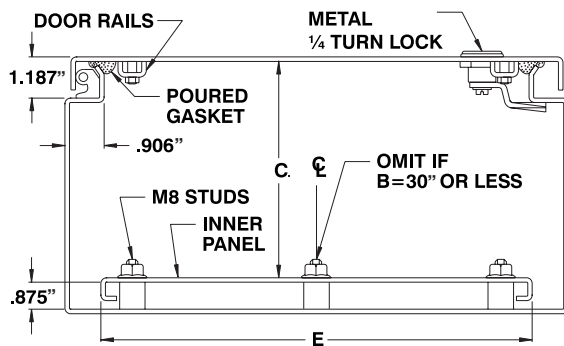
The 5412 EAL water, oil & dust tight enclosures are used indoors or outdoors, in areas where a corrosion problem exists or where the enclosures may be subject to hosing or water coming from any direction, or for protection against dust, dirt or oil splashing. The 5412 EAL are made of high quality 0.080" aluminium (Type 5052 H-32), with continuously welded corner seams. The opening has a curled lip around all sides to increase rigidity and prevent dripping water from entering the

enclosure when the door is open. A high quality, robotically poured-in-place, seamless gasket ensures a complete and durable water tight seal. The pins of the concealed hinges can be pulled out to remove the door. A ¼ turn locking mechanism (or 3 point locking mechanism on larger enclosures) ensures positive closing. Internal mounting holes are provided. **Each enclosure comes complete with a 12 GA galvanized inner panel**, which is double bent* for maximum rigidity

and mounts on M8 welded studs. Enclosures are finished with heat fused powder paint, electrostatically applied on a pretreated base. Box is ANSI/ASA 61 smooth gray. Inner panel is galvanized (other colors available).

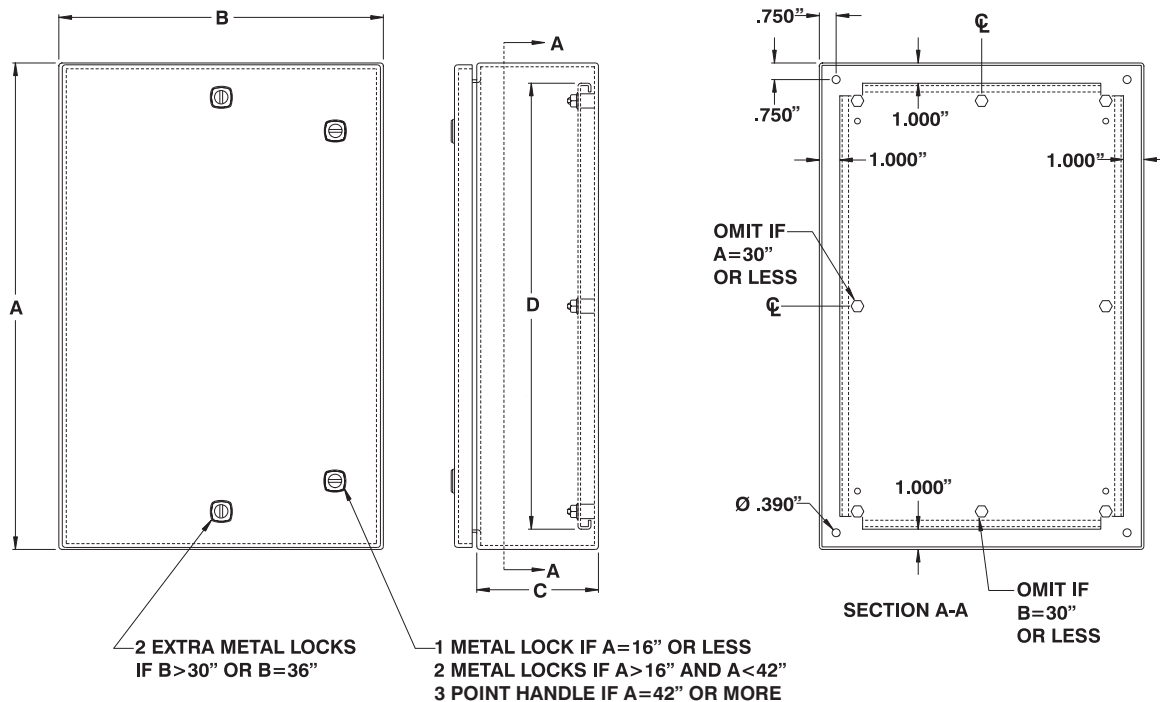
CSA Certified / UL Listed
NEMA/EEMAC 4X / IP66

Refer to p.734 to validate choice of substrate for the application



CATALOG NUMBER	DIMENSIONS					SHIP WGT LBS.
	A	B	C	D	E	
5412 EAL121206	12	12	6	10	10	10
5412 EAL122406	12	24	6	10	22	18
5412 EAL161206	16	12	6	14	10	12
5412 EAL161606	16	16	6	14	14	16
5412 EAL162006	16	20	6	14	18	19
5412 EAL201206	20	12	6	18	10	15
5412 EAL201606	20	16	6	18	14	19
5412 EAL202006	20	20	6	18	18	23
5412 EAL202406	20	24	6	18	22	27
5412 EAL241206	24	12	6	22	10	18
5412 EAL241606	24	16	6	22	14	22
5412 EAL242006	24	20	6	22	18	27
5412 EAL242406	24	24	6	22	22	31
5412 EAL301606	30	16	6	28	14	27
5412 EAL302006	30	20	6	28	18	33
5412 EAL302406	30	24	6	28	22	38
5412 EAL362406	36	24	6	34	22	45
5412 EAL363006	36	30	6	34	28	55
5412 EAL122408	12	24	8	10	22	19
5412 EAL161208	16	12	8	14	10	14
5412 EAL161608	16	16	8	14	14	17
5412 EAL162008	16	20	8	14	18	21
5412 EAL201208	20	12	8	18	10	17
5412 EAL201608	20	16	8	18	14	21
5412 EAL202008	20	20	8	18	18	25
5412 EAL202408	20	24	8	18	22	29
5412 EAL241208	24	12	8	22	10	19
5412 EAL241608	24	16	8	22	14	24
5412 EAL242008	24	20	8	22	18	29
5412 EAL242408	24	24	8	22	22	34
5412 EAL243008	24	30	8	22	28	41
5412 EAL301208	30	12	8	28	10	23
5412 EAL301608	30	16	8	28	14	29
5412 EAL302008	30	20	8	28	18	35
5412 EAL302408	30	24	8	28	22	41
5412 EAL303008	30	30	8	28	28	49
5412 EAL303608	30	36	8	28	34	58
5412 EAL362408	36	24	8	34	22	48
5412 EAL363008	36	30	8	34	28	58
5412 EAL363608	36	36	8	34	34	68
5412 EAL422408	42	24	8	40	22	55
5412 EAL423008	42	30	8	40	28	67
5412 EAL423608	42	36	8	40	34	78
5412 EAL482408	48	24	8	46	22	62
5412 EAL483008	48	30	8	46	28	75





CATALOG NUMBER	DIMENSIONS					POIDS EN LBS.	CATALOG NUMBER	DIMENSIONS					SHIP WGT LBS.
	A	B	C	D	E			A	B	C	D	E	
5412 EAL483608	48	36	8	46	34	89	5412 EAL363612	36	36	12	34	34	75
5412 EAL603608	60	36	8	58	34	109	5412 EAL422412	42	24	12	40	22	59
5412 EAL161210	16	12	10	14	10	15	5412 EAL423012	42	30	12	40	28	74
5412 EAL201610	20	16	10	18	14	22	5412 EAL423612	42	36	12	40	34	86
5412 EAL202010	20	20	10	18	18	27	5412 EAL482412	48	24	12	46	22	69
5412 EAL241210	24	12	10	22	10	21	5412 EAL483612	48	36	12	46	34	97
5412 EAL242010	24	20	10	22	18	31	5412 EAL602412	60	24	12	58	22	85
5412 EAL242410	24	24	10	22	22	36	5412 EAL603612	60	36	12	58	34	118
5412 EAL302010	30	20	10	28	18	37	5412 EAL723012	72	30	12	70	28	120
5412 EAL302410	30	24	10	28	22	43	5412 EAL723612	72	36	12	70	34	140
5412 EAL303010	30	30	10	28	28	47	5412 EAL242016	24	20	16	22	18	37
5412 EAL362410	36	24	10	34	22	51	5412 EAL242416	24	24	16	22	22	43
5412 EAL363010	36	30	10	34	28	61	5412 EAL302416	30	24	16	28	22	51
5412 EAL423010	42	30	10	40	28	70	5412 EAL362416	36	24	16	34	22	60
5412 EAL423610	42	36	10	40	34	82	5412 EAL363016	36	30	16	34	28	71
5412 EAL483010	48	30	10	46	28	79	5412 EAL423616	42	36	16	40	34	94
5412 EAL483610	48	36	10	46	34	93	5412 EAL483616	48	36	16	46	34	105
5412 EAL603610	60	36	10	58	34	114	5412 EAL603616	60	36	16	58	14	128
5412 EAL201612	20	16	12	18	14	24	5412 EAL723016	72	30	16	70	28	130
5412 EAL202012	20	20	12	18	18	29	5412 EAL723616	72	36	16	70	34	151
5412 EAL202412	20	24	12	18	22	33	5412 EAL302420	30	24	20	28	22	57
5412 EAL242012	24	20	12	22	18	33	5412 EAL363020	36	30	20	34	28	78
5412 EAL242412	24	24	12	22	22	38	5412 EAL483620	48	36	20	46	34	113
5412 EAL302412	30	24	12	28	22	46	5412 EAL603620	60	36	20	58	34	137
5412 EAL303012	30	30	12	28	28	55	5412 EAL723020	72	30	20	70	28	140
5412 EAL362412	36	24	12	34	22	54	5412 EAL302424	30	24	24	28	22	62
5412 EAL363012	36	30	12	34	28	65	5412 EAL723024	72	30	24	70	28	150

Insulated box? To have your enclosure insulated, add suffix "TH"
i.e.: 5412 EAL121206TH → Insulated stainless steel enclosure

